

# NOVAtouch - Touch and Go!

**NO MORE BUDDY PUNCHING\***

**FAST AND BETTER AUTHENTICATION WITH A HIGHER LEVEL OF SECURITY FOR YOUR EMPLOYEES.**

Your Finger Is Your Password!



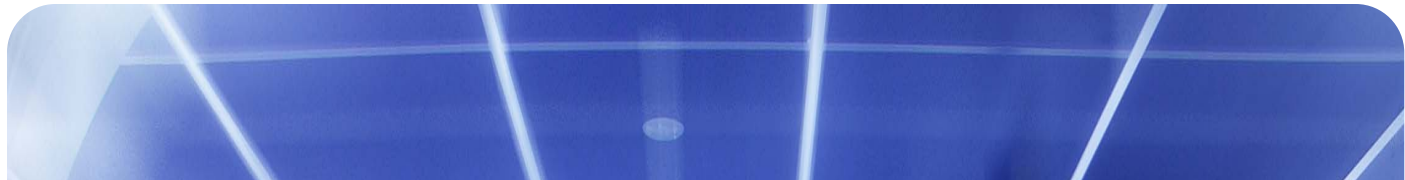
How many passwords do your employees have?

Easy to guess, written down and shared passwords jeopardize your labor management and attendance tracking integrity. NOVAtime's fingerprint solution, NOVAtouch-II, improves security, reduces password administration costs and helps streamline regulatory compliance.

- ✦ Improve Security Fingerprint authentication assures only the user can gain access to your NOVAtime web services to punch in and out.
- ✦ Reduce password administration Elimination of passwords start here...
- ✦ Achieve Regulatory Compliance Every fingerprint logon creates a biometric audit trail (Sarbanes-Oxley, Gramm-Leach-Bliley, HIPAA, etc.).

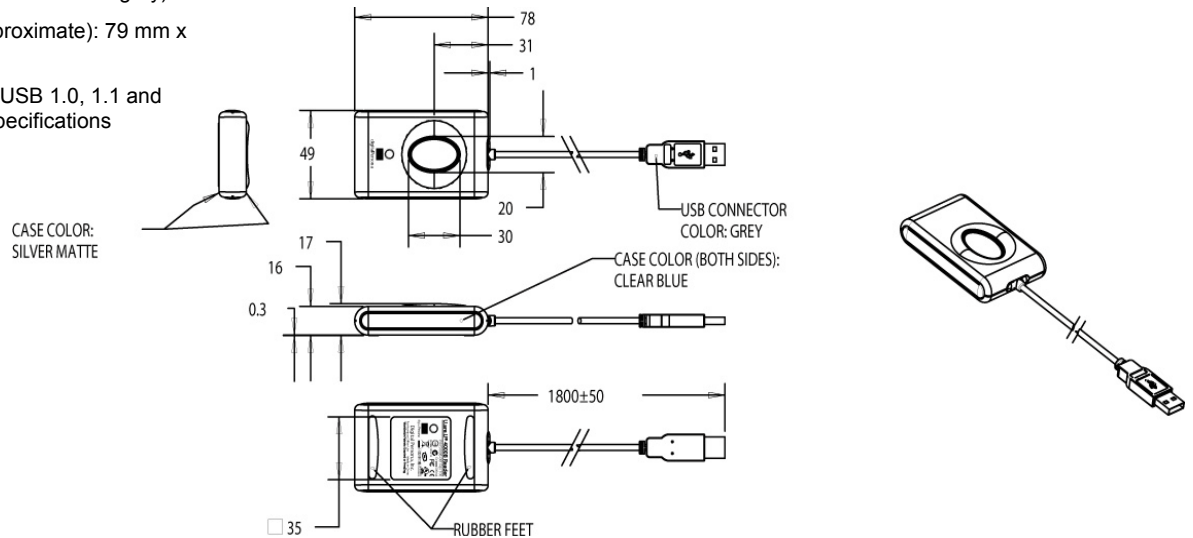
\*Buddy Punching — It's the age old problem of employees punching in or out for each other.





### Key Specifications

- Pixel resolutions: 512 dpi (average x, y over the scan area)
- Scan capture area: 14.6mm (nom. Width at center) 18.1mm(nom. Length)
- 8-bit grayscale (256 levels of gray)
- Reader size (approximate): 79 mm x 49mm x 19mm
- Compatible with USB 1.0, 1.1 and 2.0(full speed) specifications



### Ratings

<b>Supply Voltage</b>	5.0V ±5% supplied by USB
<b>Supply Current—scanning</b>	190 mA (Typical)
<b>Supply Current—idle mode</b>	140 mA (Typical)
<b>Supply Current—suspend mode</b>	1.5 mA (Maximum)

**ESD Susceptibility** >15 kV, mounted in case

**Temperature, Operating** 0 – 40 C

**Humidity, Operating** 20% - 80% non-condensing

**Temperature, Storage** -10 - 60 C

**Humidity, Storage** 20% - 90% non-condensing

**Scan data** 8-bit grayscale

**Standards Compliance** FCC Class B, CE, ICES, BSMI, MIC, USB, WHQL

*Data subject to change without notice.*